



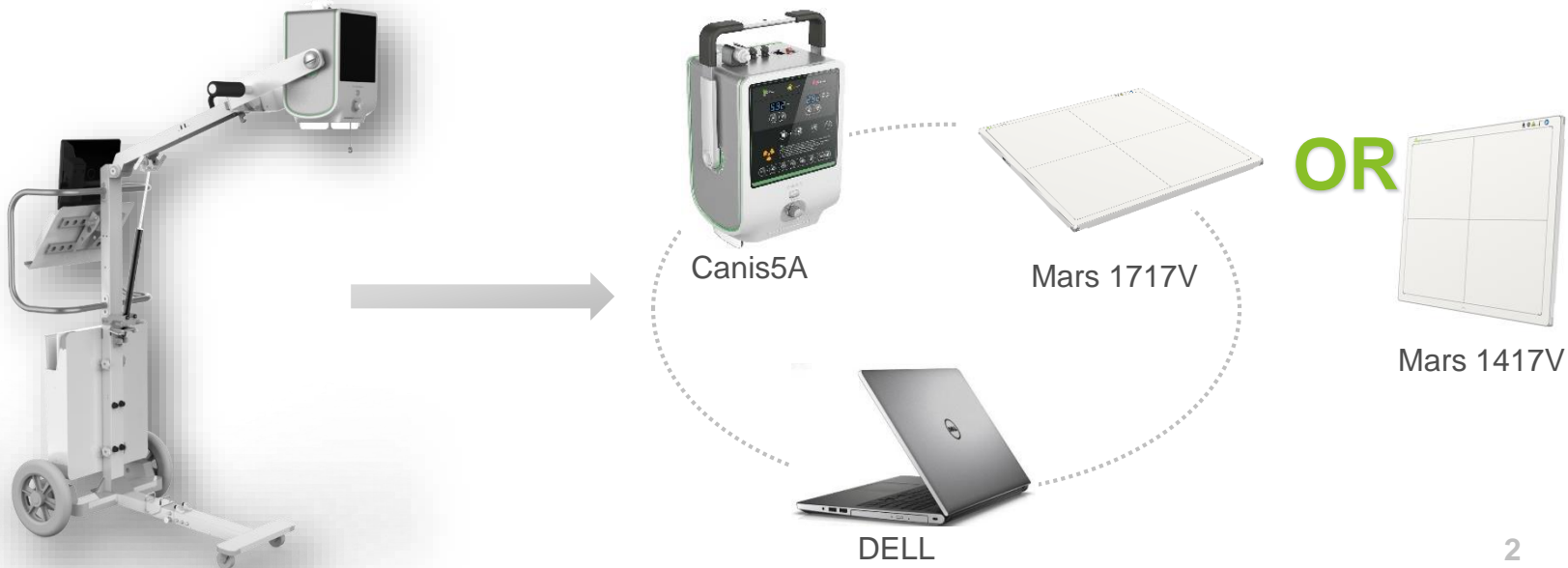
MDR500A

2020.02

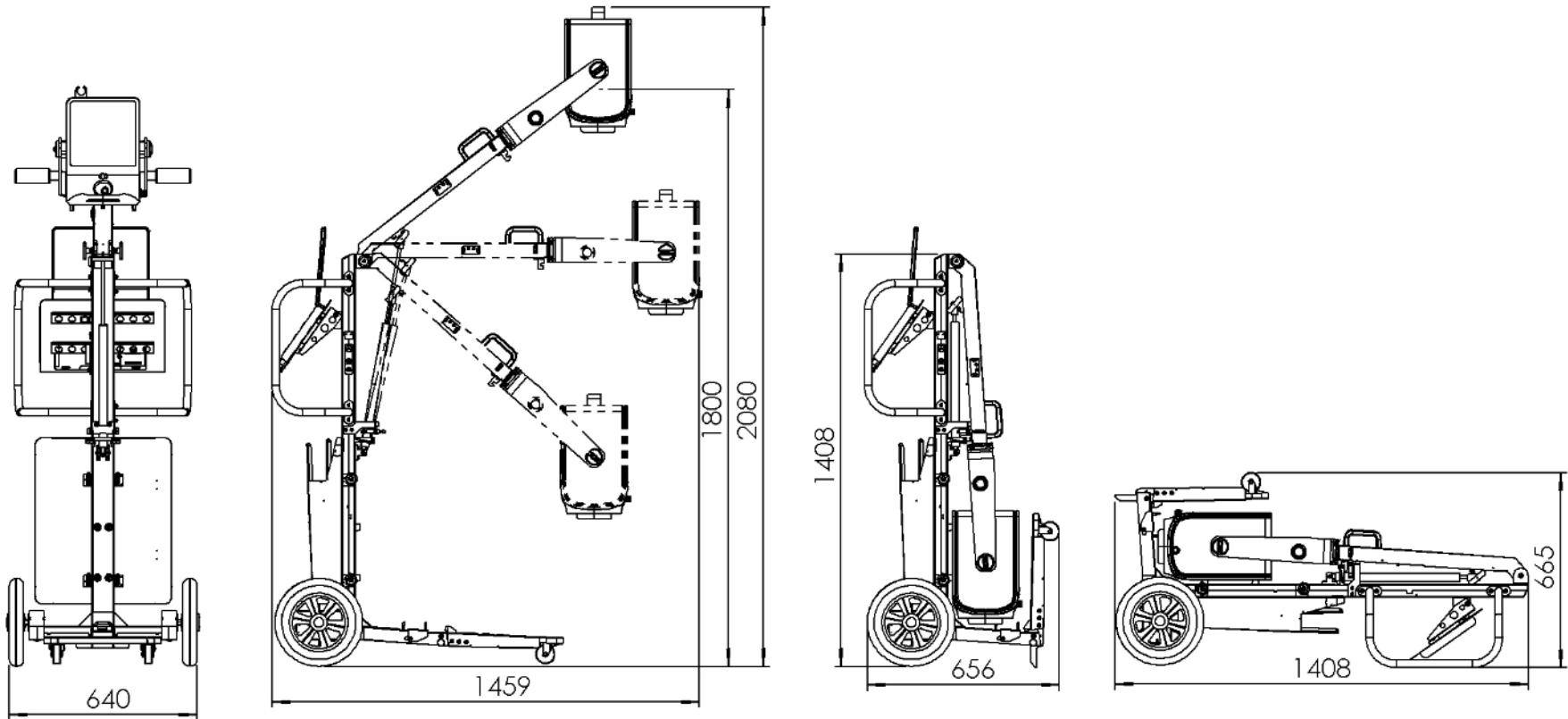
INTRODUCTION

MDR500A is a compact and versatile digital radiography system. It is aimed to help you save space and improve work efficiency. It is easy to assemble, quick to bring up, and has minimal post-sales expenditures.

Both the X-ray source and detector are portable and wireless. They can be mounted on a portable rack, making it ideal for both indoor and outdoor applications.



DIMENSIONS



SD-1200C

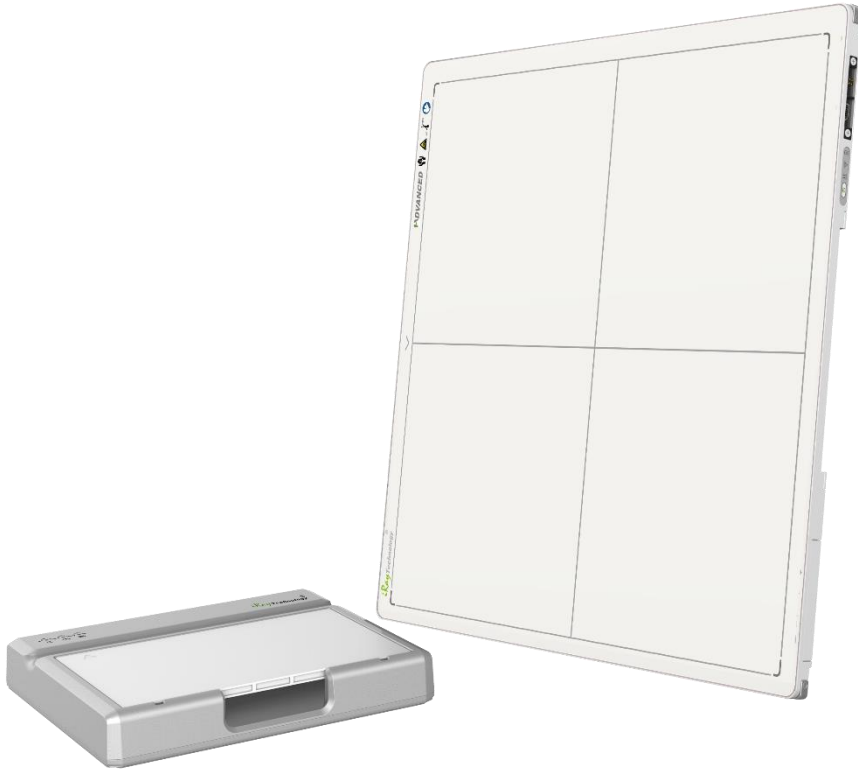
CANIS5A



Canis5A

- ◆ Focal spot: 0.6 mm / 1.8 mm
- ◆ Angle: 15°
- ◆ Input voltage : 220 V / 110 V AC
- ◆ Power: 5.3 kW
- ◆ mA range: 10 ~ 100 mA
- ◆ kV range: 40 ~ 125 kV
- ◆ Bluetooth
- ◆ X-ray field: Max 43 × 43 cm²
@100cm SID

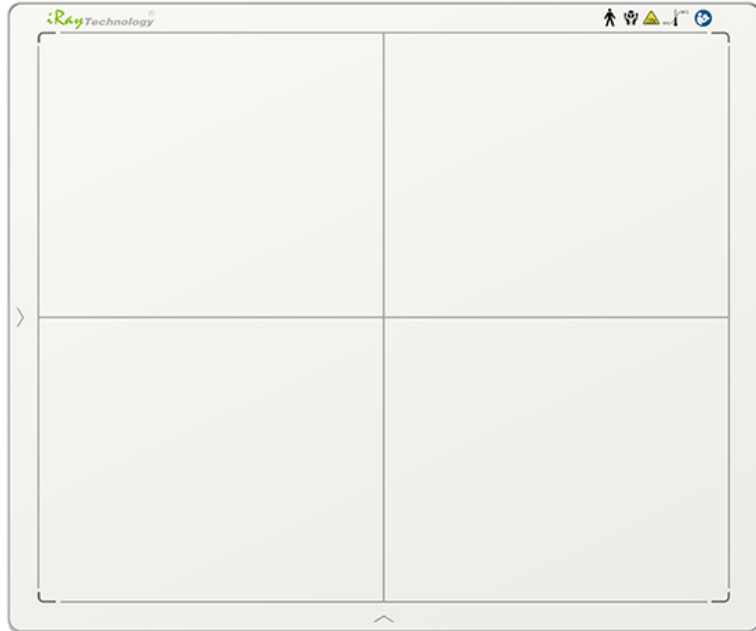
DETECTOR



Mars 1717V Detector and Battery charger

- ◆ Dimensions: $460 \times 460 \times 15 \text{ cm}^3$
- ◆ Pixel matrix: 3072×3072
- ◆ Full image time: 5 s
- ◆ AD conversion: 16 bit
- ◆ Scintillator: CsI, direct deposition
- ◆ Trigger Mode: AED
- ◆ Data Interface: WiFi
- ◆ Pixel Pitch: $139 \mu\text{m}$
- ◆ Spatial Resolution: 3.6 lp/mm

DETECTOR(OPTIONAL)



Mars 1417V Detector

- ◆ Dimensions: $384 \times 460 \times 15 \text{ cm}^3$
- ◆ Pixel matrix: 2304×2800
- ◆ Full image time: 5 s
- ◆ AD conversion: 16 bit
- ◆ Scintillator: CsI, direct deposition
- ◆ Trigger Mode: AED
- ◆ Data Interface: WiFi
- ◆ Pixel Pitch: $150 \mu\text{m}$
- ◆ Spatial Resolution: 3.4 lp/mm

SPECIFICATIONS

Detector		Mars1717V	
• Detector Technology		a-SI with direct dep CsI	
• Active area (inch)		17 × 17	
• Active Matrix (pixels)		3072 × 3072	
• ADC (bits)		16	
• Pixel Pitch (µm)		139	
• Spatial Resolution (lp/mm)		3.6	
• Typical DQE@ 0lp(2.5uGy@ RQA5)		0.69	
• Fast preview time (sec)		3	
• Final Image time (sec)		5	
• Dimensions (mm ³)		460 × 460 × 15	
• Weight (kg)		4.6	
• WIFI		IEEE802.11 a/b/g/n/ac	
Detector (Optional)		Mars1417V	
• Detector Technology		a-SI with direct dep CsI	
• Active area (inch)		14 × 17	
• Active Matrix (pixels)		2304 × 2800	
• ADC (bits)		16	
• Pixel Pitch (µm)		150	
• Spatial Resolution (lp/mm)		3.4	
• Typical DQE@ 0lp(2.5uGy@ RQA5)		0.69	
• Fast preview time (sec)		3	
• Final Image time (sec)		5	
• Dimensions (mm ³)		384 × 460 × 15	
• Weight (kg)		3.3	
• WIFI		IEEE802.11 a/b/g/n/ac	
Protobale		Canis5A	
• Power Supply		AC 220V/110V ±10% 50/60Hz	
• Power (kW)		5.3	
• kVp		40 - 125	
• mA		10 - 100	
• mAs		0.1 - 100	
• Minimum exposure time (ms)		1 - 1000	
• Ripple		< 5%	
• Focal Spot Sizes (mm)		0.6 /1.8	
• Target Angle:		15°	
• Anode heat storage (kJ)		30	
• Manual control knobs to adjust X-ray field		Max 43 × 43 @100cm SID	
• Minimum inherent filtration (mm Al @ 75 kV)		1	
• Laser		Dual - Laser	
• light source on time (sec)		30	
• Bluetooth		Yes	
• Weight (kg)		15	
• Dimensions (mm ³)		251 ×228 × 367	
Workstation		DELL	
• CPU		Intel core i3	
• Hard Disk Storage (GB)		1,000	
• RAM (GB)		8	
• Screen		14"	
• Monitor (pixels)		1920 x 1080	
• Boot Time after normal shutdown (sec)		120	
• System reset time (sec)		60	
• WIFI		IEEE802.11 a/b/g/n/ac	